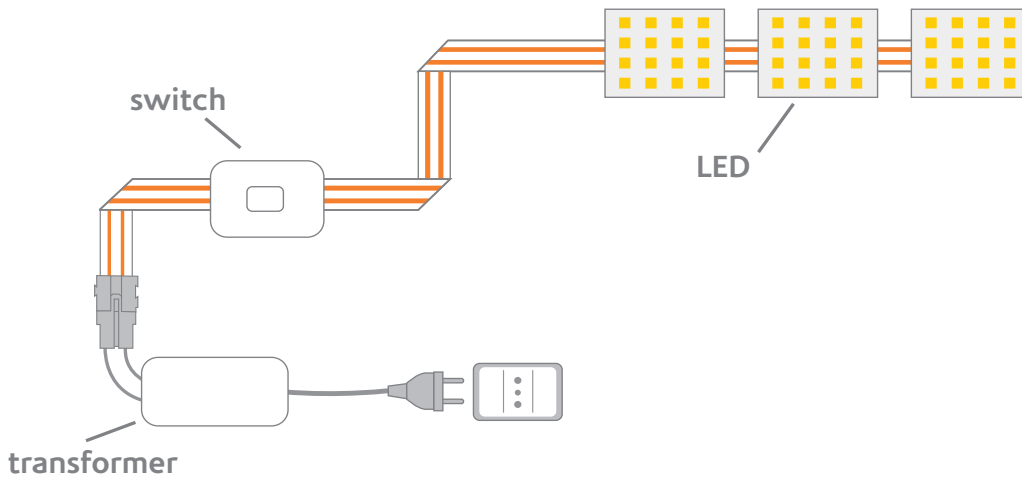
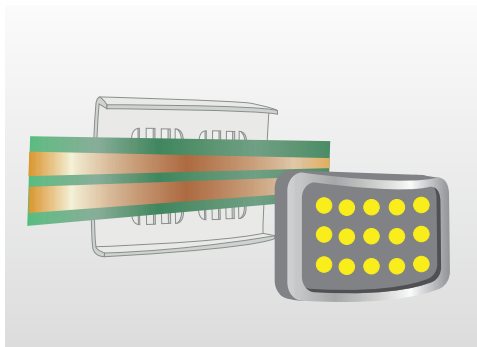




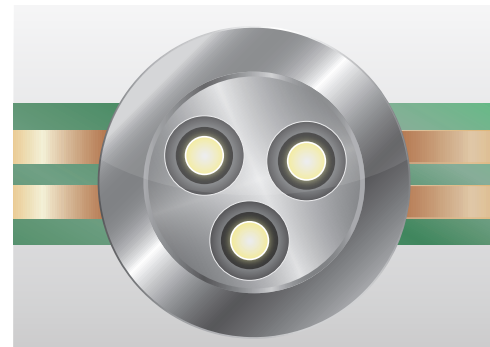
Connection of Next with slim switch and LED.
The innovative snap-in system fix directly LED to Next.



2 cables Next: each section is 0,5 mm², line width 0,25 mm.



LED example assembly.



Fixed LED.



specifications

Next is a flat copper with insulator conductors 0,6 -1 kV.

Easy to install and safe to use!

Approved for CE 75Vcc - 50 Vac specifications.

Thanks to a powerful and strong glue (2,7 N/m) you can install to every wall or surface.

Flexible to fix it in every direction.

Thin 0,25 mm, less than a business card.

Invisible, easy to cover with wallpaper or wall paint.

Brief description: Flat copper with multiple section, from 0.5 to 6 mm², electrolytic copper A class.

Environment Usage temperature: from -10°C to 50°C. (from 14°F to 122°F).

Max Umidity: max 100% 25°C or 95% 20°C. (max 100% 77°F or 95% 68°F).

Insulation Nominal Tension UI: 1500 V ca.

Nominal Frequency: 50 Hz.

Insulation: polypropylene and acrylic adhesive.

Ambient temperature: -10°C / 40°C. (14°F / 104°F).

Type of installation recommended: fixed to inside wall.

Protection against direct impacts: insured.